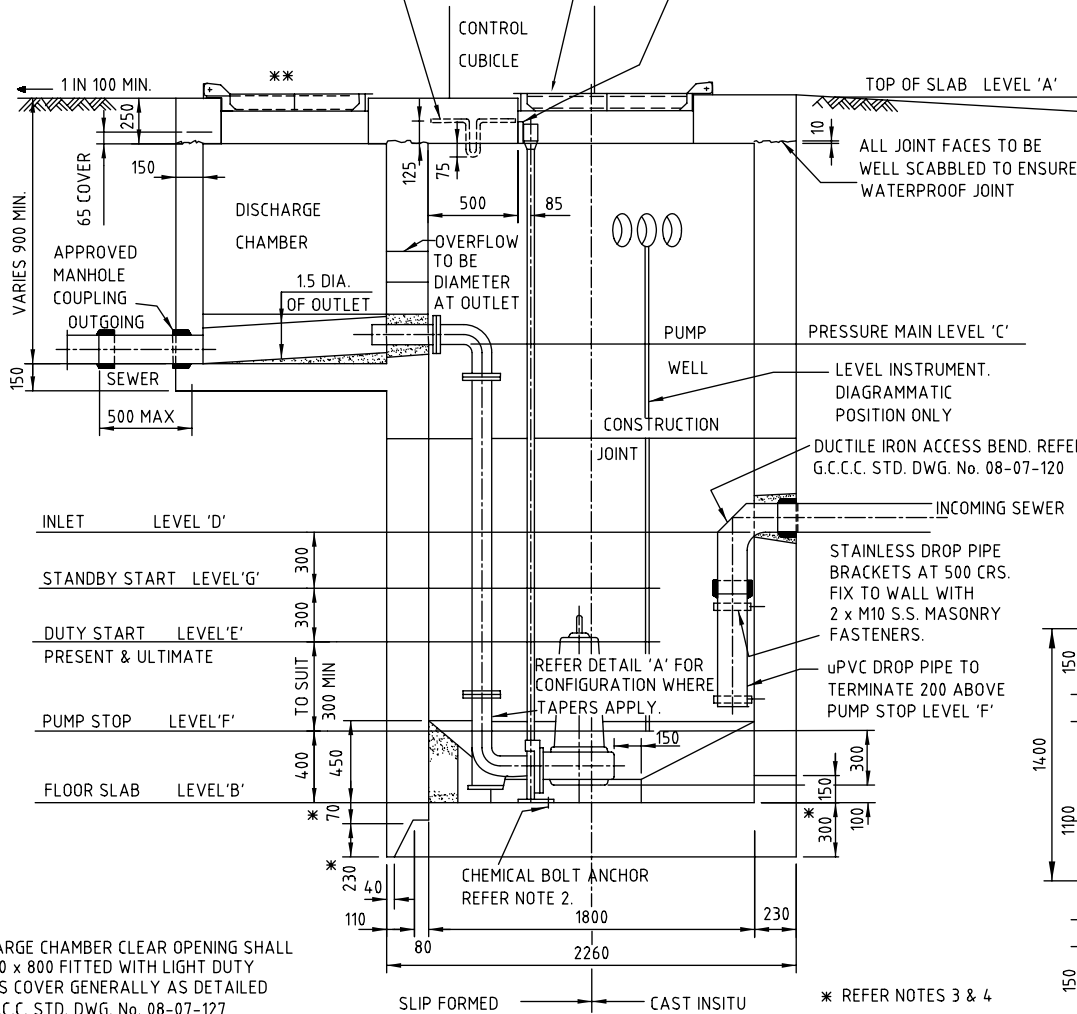


2 ϕ 12 GRADE 316 STAINLESS STEEL.
INTERNAL RADIUS OF BENDS TO BE 25.
EMBEDDED PORTION OF U-BOLTS TO BE
WRAPPED WITH ELECTRICAL INSULATION TAPE.
LOCATE CENTRALLY OVER 90° BENDS.

CLEAR OPENING SHALL GENERALLY BE 1260x950 FITTED WITH
LIGHT DUTY ACCESS COVER AS DETAILED ON G.C.C.C. STD.
DWG. No. 05-07-127 THE VOLUTE DIAMETER OF THE PUMP
SHALL DETERMINE THE FINAL OPENING AND LID DIMENSIONS.

EACH PUMP SLIDE SUPPORT TO BE
FIXED TO TOP SLAB WITH 2xM12
STAINLESS STEEL DROP IN FLUSH
ANCHOR MASONARY FASTENERS.



SECTIONAL ELEVATION

** DISCHARGE CHAMBER CLEAR OPENING SHALL
BE 1000 x 800 FITTED WITH LIGHT DUTY
ACCESS COVER GENERALLY AS DETAILED
ON G.C.C.C. STD. DWG. No. 08-07-127

NOTES:

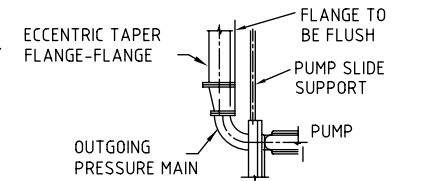
- THIS DRAWING SHOULD BE READ IN CONJUNCTION WITH
G.C.C.C. STD. DWG. Nos. 08-07-125 TO 08-07-127
08-07-136 TO 08-07-138.
- PUMP BASEPLATES AND SLIDE SUPPORTS SHALL BE FIXED
TO FLOOR AND TOP OF SLAB WITH STAINLESS STEEL DROP
IN FLUSH ANCHOR MASONARY FASTENERS IN ACCORDANCE
WITH THE MANUFACTURERS RECOMMENDATION.
- THE THICKNESS OF THE BASE SHOWN IS FOR LIFT
STATIONS TO A MAX. DEPTH OF 4.0m.
- FOR DEPTHS OF LIFT STATIONS GREATER THAN 4.0m THE
BASE THICKNESS SHALL BE INCREASED TO COVER
FLOTATION OF THE STRUCTURE WHEN EMPTY OF PUMPS,
PIPEWORK, FITTINGS AND LIQUID AND SHALL BE AS
DETAILED ON THE DRAWINGS.
- ALL INTERNAL VERTICAL, SOFFIT, COVER OPENING WET
WELL AND DISCHARGE CHAMBER SURFACES SHALL BE
COATED WITH AN APPROVED PROTECTIVE COATING
MANUFACTURERS SYSTEM IN ACCORDANCE WITH THE
RECOMMENDATIONS. BENCHING SHALL NOT BE COATED.
- THE PROTECTIVE COATING SYSTEM SHALL BE SEALED AT
BENCHING EDGES, ALL ENTRIES THROUGH THE CONCRETE
STRUCTURE AND AT ALL FITMENT HOLES WITH AN
APPROVED SILICON ADHESIVE IN ACCORDANCE WITH THE
MANUFACTURERS RECOMMENDATIONS.
- DIMENSIONS ARE IN MILLIMETRES UNLESS SHOWN OTHERWISE.

PUMP

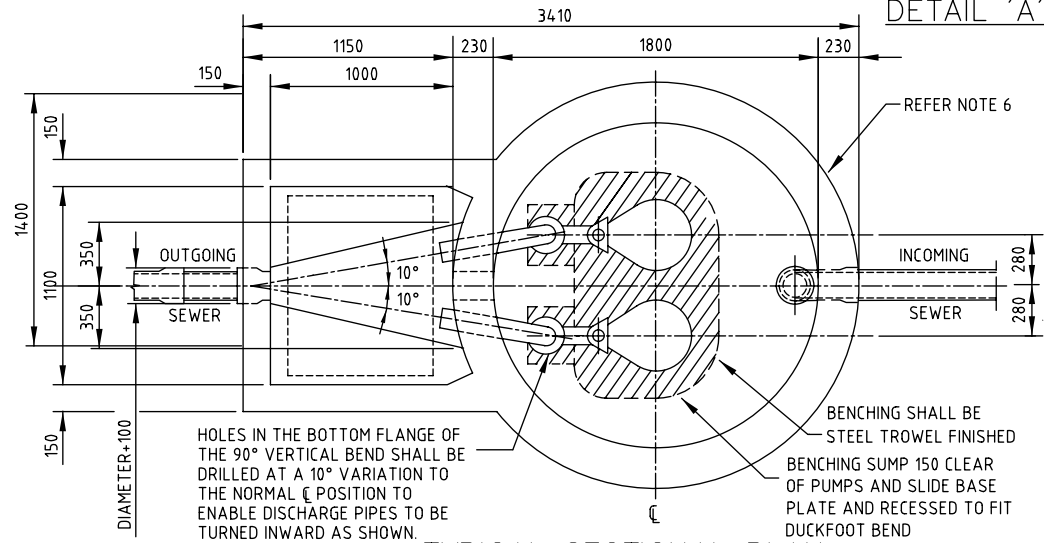
PUMP TYPE	
PUMP RATING FLOW/HEAD	
LEVEL 'A'	m
LEVEL 'B'	m
LEVEL 'C'	m
LEVEL 'D'	m
LEVEL 'E' PRESENT	m
LEVEL 'E' ULTIMATE	m
LEVEL 'F'	m
LEVEL 'G' 300 BELOW INLET OR OVERFLOW	m

OVERFLOW

OVERFLOW LEVEL AT WELL	m
LOWEST HOUSE FLOOR LEVEL OR MANHOLE LID	m



DETAIL 'A'



TYPICAL SECTIONAL PLAN



Gold Coast City Council
GOLD COAST CITY COUNCIL
PO BOX 5942
GOLD COAST MC 9729

THIS DRAWING IS NOT TO BE AMENDED WITHOUT
REFERENCE TO STANDARDS COMMITTEE

CONTROLLED
DOCUMENT

DO NOT SCALE
TAKE FIGURED DIMENSIONS ONLY

STANDARD DRAWING

MICROFILMED

DRAWN BY	G.C.W
PASSED	08/07/08
APPROVED	08/07/08
	R. WENT

**SEWERAGE LIFT
STATION 1800 Dia.
PLAN 1 OF 3 - GENERAL LAYOUT**

STANDARD DRAWING No.	08-07-135
ISSUE	2008 EDITION

No.	AMENDMENT	APPROVED	DATE	ISSUED