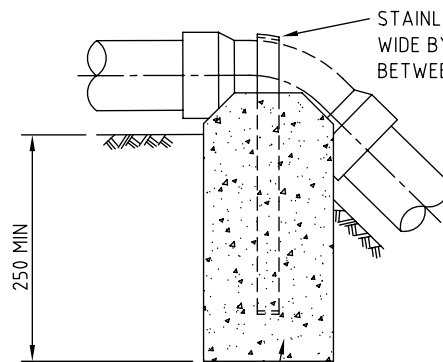


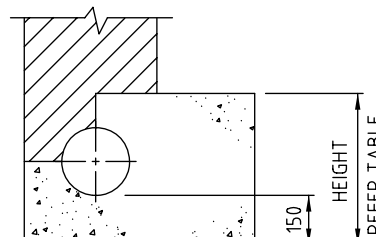
THRUST BLOCK LENGTH

| PIPE DIA. | FITTING | MAX. THRUST IN KN | THRUST BLOCK HEIGHT | THRUST BLOCK LENGTH | | | | |
|-----------|-------------------|-------------------|---------------------|---------------------|--------------------------------|--------------------------------|--|------|
| | | | | SOFT CLAY 50 KPa. | MEDIUM CLAY SANDY LOAM 100KPa. | SAND & GRAVEL HARDCLAY 150KPa. | SAND & GRAVEL CEMENTED WITH CLAY 200KPa. | ROCK |
| 100 | 90° BEND | 22.3 | 400 | 1150 | ● | ● | ● | ● |
| | 60° BEND | 15.8 | | 800 | ● | ● | ● | ● |
| | 45° BEND | 12.1 | | 650 | ● | ● | ● | ● |
| | 22.5° BEND | 6.15 | | ● | ● | ● | ● | ● |
| | 11.25° BEND | 3.09 | | ● | ● | ● | ● | ● |
| | TEE OR CLOSED END | 15.8 | | 800 | ● | ● | ● | ● |
| 150 | 90° BEND | 47.1 | 450 | SPECIAL DESIGN | 1050 | 700 | ● | ● |
| | 60° BEND | 33.3 | | 1500 | 750 | ● | ● | ● |
| | 45° BEND | 25.5 | | 1150 | ● | ● | ● | ● |
| | 22.5° BEND | 13.0 | | ● | ● | ● | ● | ● |
| | 11.25° BEND | 6.53 | | ● | ● | ● | ● | ● |
| | TEE OR CLOSED END | 33.3 | | 1500 | 750 | ● | ● | ● |
| 225 | 90° BEND | 100.7 | 600 | SPECIAL DESIGN | SPECIAL DESIGN | 1150 | 850 | 700 |
| | 60° BEND | 71.2 | | SPECIAL DESIGN | 1200 | 800 | ● | ● |
| | 45° BEND | 54.5 | | SPECIAL DESIGN | 950 | 650 | ● | ● |
| | 22.5° BEND | 27.8 | | 950 | ● | ● | ● | ● |
| | 11.25° BEND | 14.0 | | ● | ● | ● | ● | ● |
| | TEE OR CLOSED END | 71.2 | | SPECIAL DESIGN | 1200 | 800 | ● | ● |
| 300 | 90° BEND | 175 | 700 | SPECIAL DESIGN | SPECIAL DESIGN | 1700 | 1250 | 1050 |
| | 60° BEND | 124 | | SPECIAL DESIGN | 1800 | 1200 | 900 | 750 |
| | 45° BEND | 95 | | SPECIAL DESIGN | 1350 | 900 | 700 | ● |
| | 22.5° BEND | 48 | | 1400 | 700 | ● | ● | ● |
| | 11.25° BEND | 24 | | 700 | ● | ● | ● | ● |
| | TEE OR CLOSED END | 124 | | SPECIAL DESIGN | 1800 | 1200 | 900 | 750 |

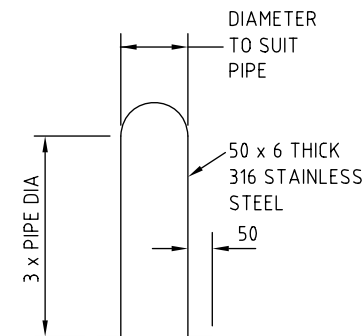
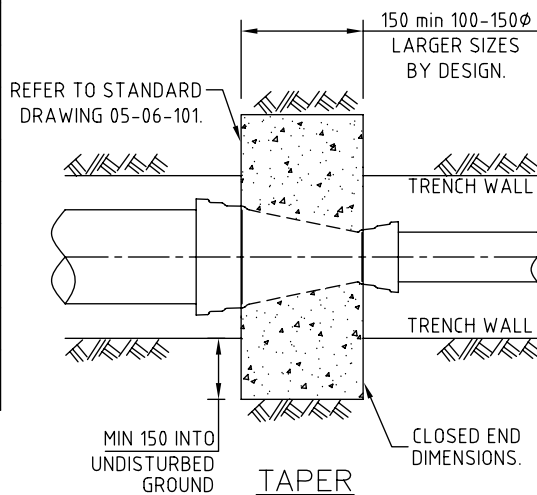
THRUST BLOCK DIMENSIONS
● INDICATES BLOCK LENGTH OF 600



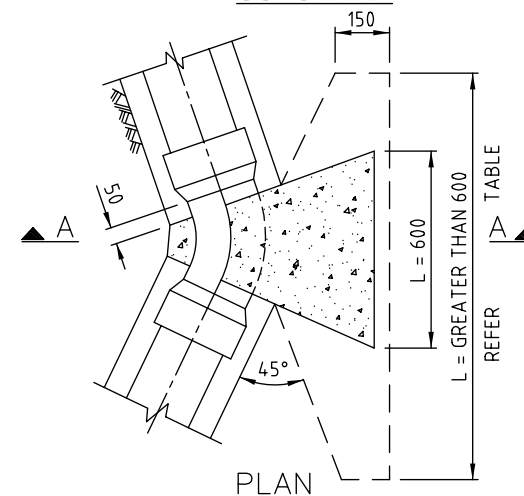
CONCRETE TO EXTEND 150 MIN INTO EACH TRENCH WALL
VERTICAL BENDS



SECTION A-A



SS STRAP



PLAN

NOTES:

1. ALL CONCRETE TO BE GRADE N20.
2. THRUST BLOCKS SHALL BE CAST AGAINST THE UNDISTURBED SIDE OF THE TRENCH. KEEP CONCRETE CLEAR OF SOCKETS, FLANGES & BOLTS.
3. THE TABLE OF DIMENSIONS ASSUME A TEST PRESSURE OF 1350KPa. (135m HEAD) VARIATION FROM THE DIMENSIONS SHOWN WILL BE SUBJECT TO JUSTIFICATION BY CALCULATIONS
4. POLYETHYLENE SLEEVING SHALL COMPLY WITH THE REQUIREMENTS OF COUNCIL'S STANDARD SPECIFICATION SS2.
5. SS 316 STRAPS MAY BE USED ON BENDS, TEE & VALVES WHERE THE THRUST BLOCK IS SET UNDER THE FITTING.
6. DIMENSIONS ARE IN MILLIMETRES UNLESS SHOWN OTHERWISE.



Gold Coast City Council
GOLD COAST CITY COUNCIL
PO BOX 5042
GOLD COAST MC 9729

THIS DRAWING IS NOT TO BE AMENDED WITHOUT REFERENCE TO STANDARDS COMMITTEE

CONTROLLED DOCUMENT

DO NOT SCALE
TAKE FIGURED DIMENSIONS ONLY

STANDARD DRAWING

MICROFILMED

| | |
|----------|--------------------|
| DRAWN BY | G.C.W |
| PASSED | D. HAYMAN 08/07/08 |
| APPROVED | R. WENT 08/07/08 |

**RETICULATION
WATER PRESSURE MAIN
THRUST BLOCK DETAILS**

STANDARD DRAWING No.
08-06-105
ISSUE
2008 EDITION

| No. | AMENDMENT | APPROVED | DATE | ISSUED |
|-----|-----------|----------|------|--------|
| | | | | |