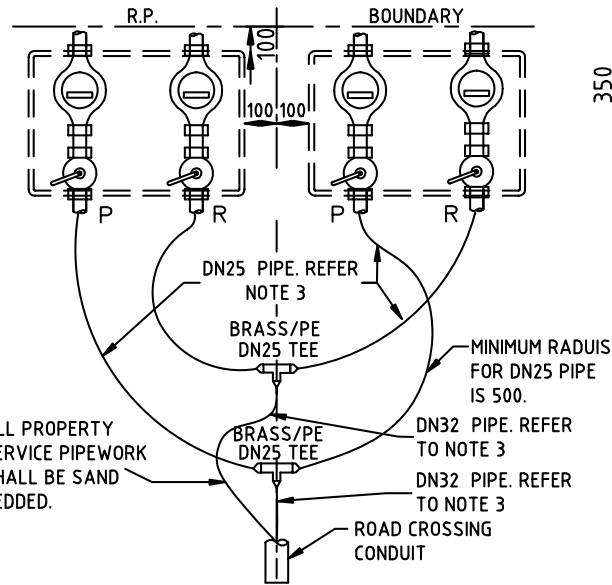
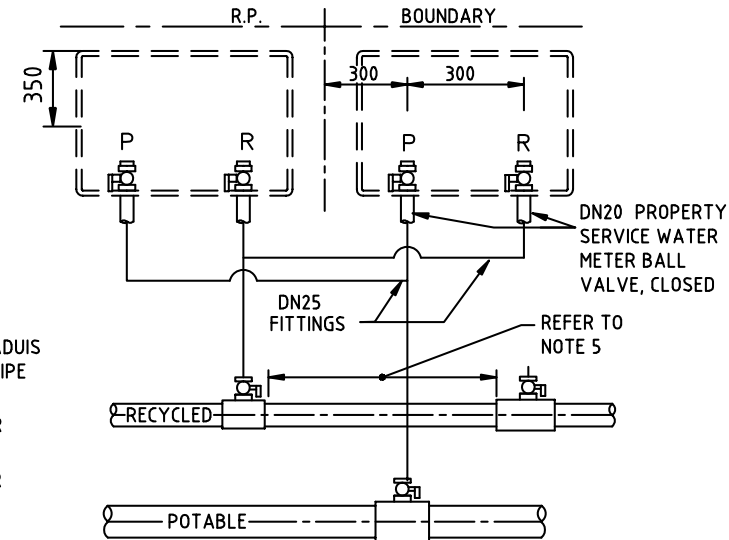


COMBINED SHORT SERVICES



COMBINED LONG SERVICES



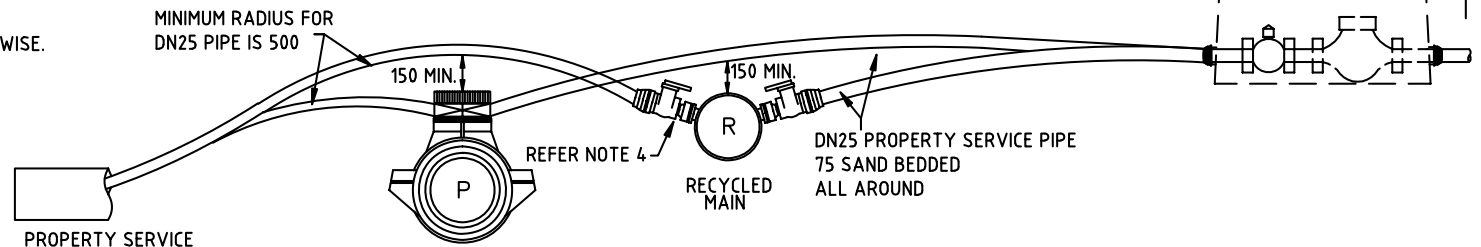
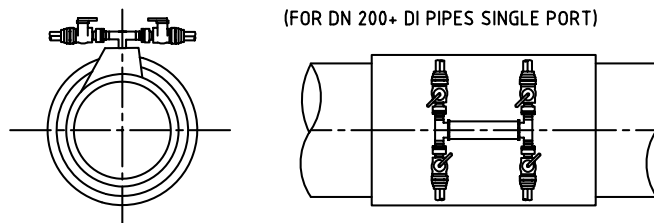
COMBINED SHORT SERVICES

NOTES:

1. FOR SINGLE PROPERTY SERVICE AND GENERAL PROPERTY SERVICE INSTALLATION DETAILS REFER TO G.C.C.C. STD. DWG. NO. 08-06-108.
2. FOR TWIN POTABLE AND TWIN RECYCLED WATER SERVICE TYPICAL INSTALLATION DETAILS REFER G.C.C.C STD DWG. No. 08-06-109.
3. FOR PROPERTY SERVICE PIPE DETAILS REFER TO NOTE 2, 3 & 5 AND THE GENERAL DETAILS ON G.C.C.C STD DWG No. 08-06-109.
4. FOR POTABLE AND RECYCLED PROPERTY SERVICE PRESSURE PIPE COLOURS AND MARKING DETAILS REFER TO G.C.C.C. STD. DWG. NO. 08-06-109.
5. FOR MINIMUM TAPPING DISTANCES REFER TO NOTES ON G.C.C.C STD DWG 08-06-109
6. DIMENSIONS ARE IN MILLIMETRES UNLESS SHOWN OTHERWISE.

PRETAPPED TWIN CONNECTOR (DI)

(FOR DN 200+ DI PIPES SINGLE PORT)



TYPICAL SERVICE CROSSOVERS

(FOR DN 100 - DN 300 PE & DI PIPES)



THIS DRAWING IS NOT TO BE AMENDED WITHOUT REFERENCE TO STANDARDS COMMITTEE				CONTROLLED DOCUMENT	DO NOT SCALE TAKE FIGURED DIMENSIONS ONLY
No.	AMENDMENT	APPROVED	DATE	ISSUED	R. WENT

STANDARD DRAWING
DUAL WATER RETICULATION SYSTEM
TYPICAL WATER PRESSURE MAIN
SERVICE DETAILS

MICROFILMED
 STANDARD DRAWING No. 08-06-111
 ISSUE 2008 EDITION