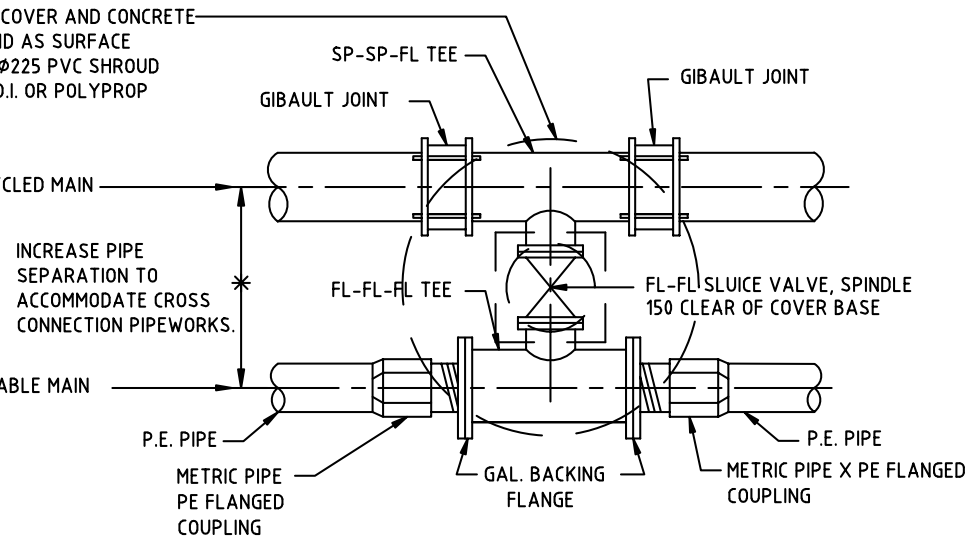
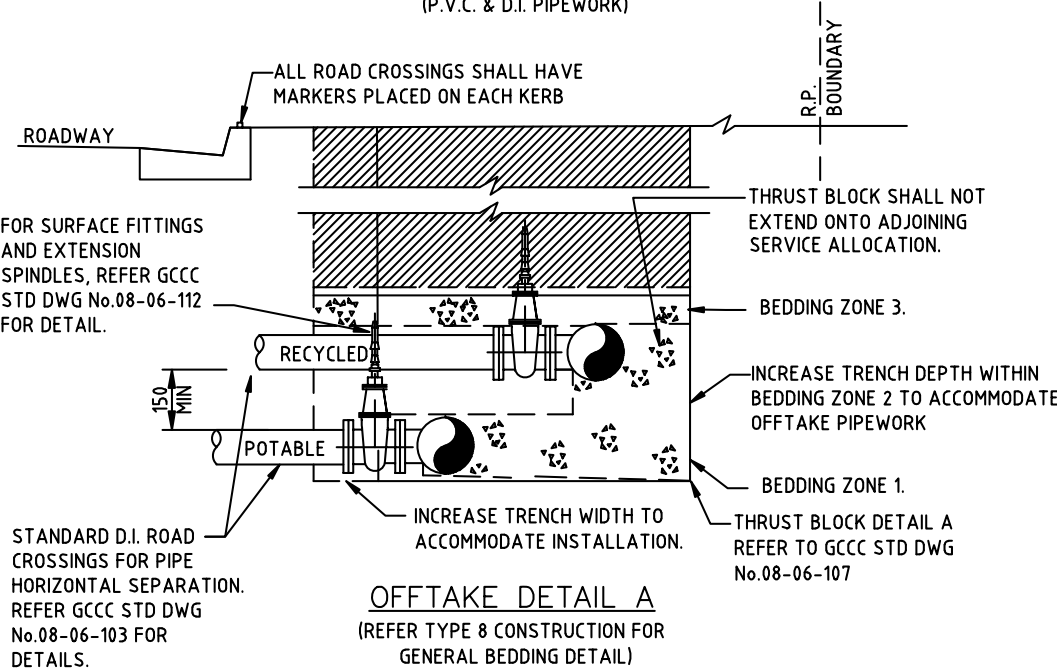


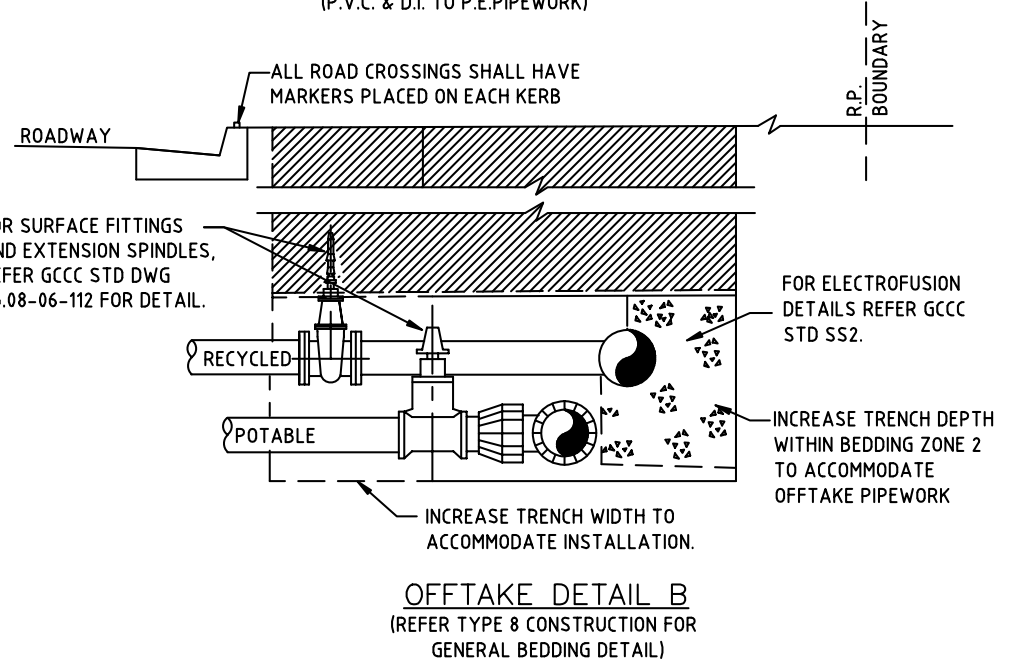
CROSS CONNECTION DETAIL
(P.V.C. & D.I. PIPEWORK)



CROSS CONNECTION DETAIL
(P.V.C. & D.I. TO P.E. PIPEWORK)



OFFTAKE DETAIL A
(REFER TYPE 8 CONSTRUCTION FOR GENERAL BEDDING DETAIL)



OFFTAKE DETAIL B
(REFER TYPE 8 CONSTRUCTION FOR GENERAL BEDDING DETAIL)



THIS DRAWING IS NOT TO BE AMENDED WITHOUT REFERENCE TO STANDARDS COMMITTEE				CONTROLLED DOCUMENT	DO NOT SCALE TAKE FIGURED DIMENSIONS ONLY
No.	AMENDMENT	APPROVED	DATE	ISSUED	

DRAWN BY	G.C.W
PASSED	08/07/08
APPROVED	08/07/08
	R. WENT

STANDARD DRAWING
DUAL WATER
RETICULATION SYSTEM
CROSS CONNECTIONS & OFFTAKES
TYPICAL ARRANGEMENT DETAILS

MICROFILMED
STANDARD DRAWING No.
08-06-114
ISSUE
2008 EDITION