

PIT DIMENSIONS

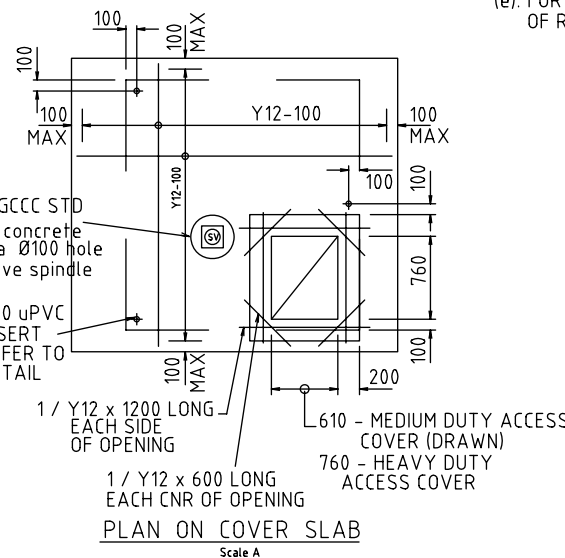
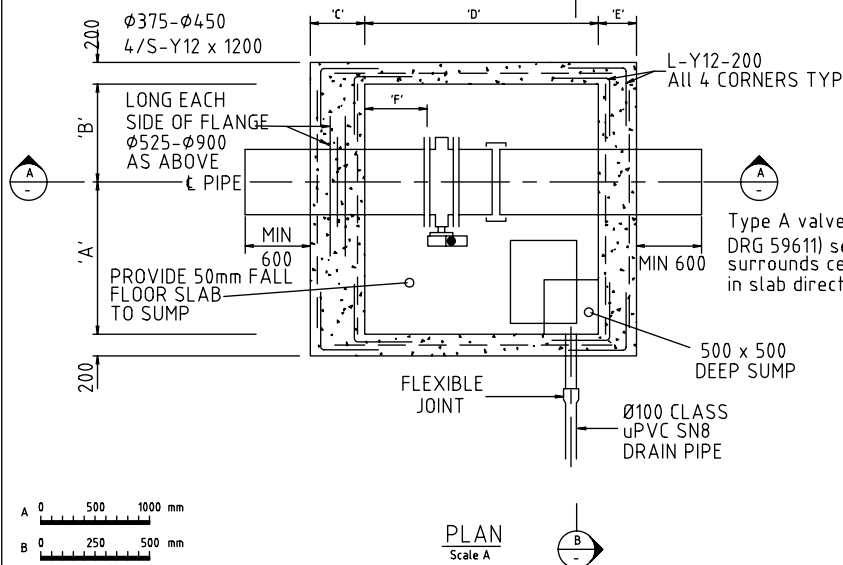
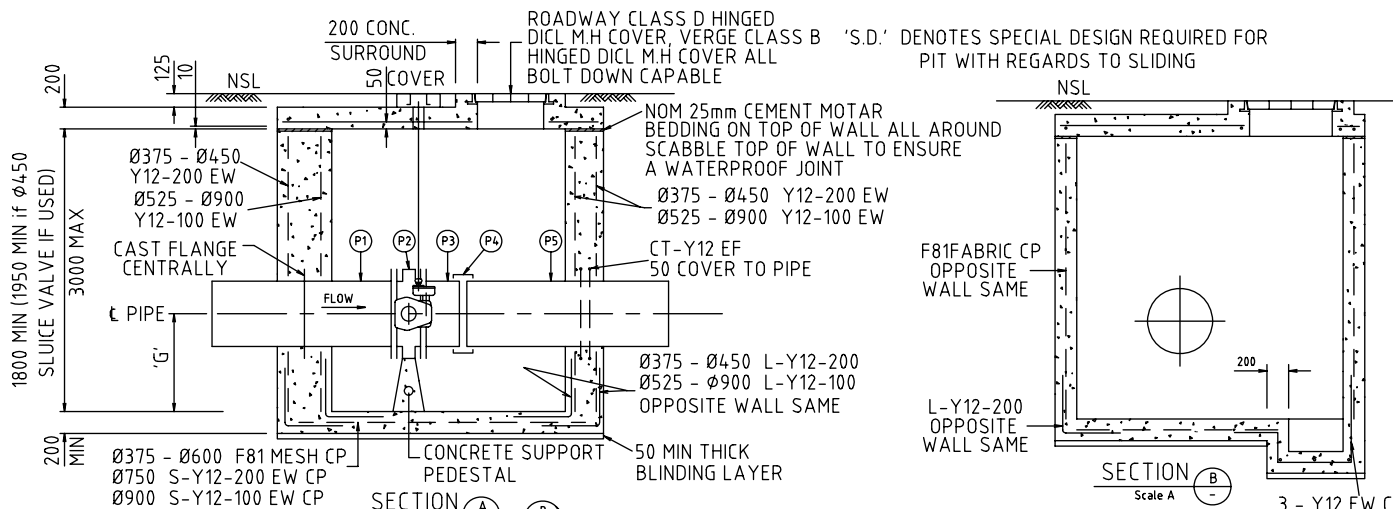
NOMINAL PIPE DIA.	MAXIMUM PIPE O.D.	'A'	'B'	'C'	'D'	'E'	'F'	'G' MIN
Ø525	587	1450	1050	400	1950	350	450	800
Ø600	667	1500	1200	500	2350	350	600	950
Ø750	826	1500	1200	600	2350	400	600	1000
Ø900	960	1750	1300	700	2350	400	600	1100
Ø1200	1290	PIT BY DESIGN		-	-	-	-	-

SLIDING CONDITIONS

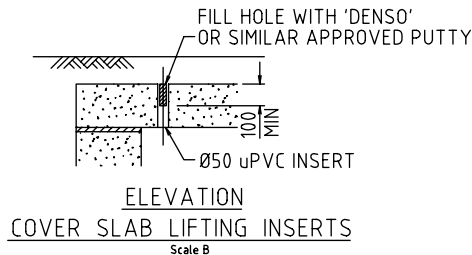
NOMINAL PIPE DIA.	THRUST (kN)	MINIMUM SOIL BEARING CAPACITY				
		50 kPa	100 kPa	150 kPa	200 kPa	240 kPa
Ø525	708	S.D.	S.D.	-	-	-
Ø600	708	S.D.	S.D.	-	-	-
Ø750	1085	S.D.	S.D.	S.D.	S.D.	-
Ø900	1466	S.D.	S.D.	S.D.	S.D.	S.D.
Ø1200	DESIGN	S.D.	S.D.	S.D.	S.D.	S.D.

NOTES

- GENERAL DESIGN NOTES
    - THE STRUCTURE HAS BEEN DESIGNED IN ACCORDANCE WITH THE REQUIREMENTS OF:- AS 3600 CONCRETE STRUCTURES AUSTRROADS - BRIDGE DESIGN CODE SECTION 2
    - THE STRUCTURE HAS BEEN DESIGNED TO RESIST THE FOLLOWING LAODS:-
      - LIVE LOAD, CONCRETE COVER LIVE LOAD, MEDIUM DUTY, 'GATIC' ACCESS COVER
      - LIVE LOAD, HEAVY DUTY, 'GATIC' ACCESS COVER
    - EXTERNAL EARTH LOADS
    - EXTERNAL GROUND WATER LOADS
    - MAXIMUM PIPELINE PRESSURE (VALVE CLOSED)
  - CONCRETE EXPOSURE CLASSIFICATION
    - FRESH GROUNDWATER - B1
    - SALINE GROUNDWATER - B2
  - RESISTANCE OF PIT AGAINST SIDING MUST BE ASSESSED WITH SITE SPECIFIC THRUST LOAD AND SOIL CONDITIONS.
- GENERAL NOTES
    - BUTTERFLY VALVE AND GEAR BOX ACTUATOR SHALL COMPLY WITH COUNCILS STANDARD SPECIFICATION SS2
    - ALL DIMENSIONS ARE IN MILLIMETRES UNLESS STATED OTHERWISE DIMENSIONS SHALL NOT BE SCALED
  - CONCRETE
    - ALL CONCRETE SHALL BE CLASS N32 UNLESS SHOWN OTHERWISE
    - PROVIDE A FINE PROVIDE NON-SLIP SURFACE WITH A WOOD FLOAT TO THE TOPS OF ALL WALLS AND FLOOR
  - REINFORCEMENT
    - ALL BAR REINFORCEMENT SHALL BE GRADE 400Y HOT ROLLED DEFORMED BARS UNLESS SHOWN OTHERWISE.
    - MINIMUM COVER TO REINFORCEMENT SHALL BE:- FOR B1 EXPOSURE CLASSIFICATION 50mm.
    - REINFORCEMENT SHALL BE CUT OR DISPLACED TO PROVIDE 50mm COVER TO PIPES AS DIRECTED BY THE SUPERINTENDENT.
    - MINIMUM LAPS: FOR FABRIC - ONE FULL MESH PLUS 25mm.
    - FOR WALL THICKNESS GREATER THAN 200mm, PROVIDE 2 LAYERS OF REINFORCEMENT WITH MINIMUM COVER.



Mark No.	DESCRIPTION
P1	FLANGED TAIL PIPE WITH THRUST FLANGE
P2	GEARBOX ACTUATED BUTTERFLY VALVE
P3	FLANGE/SPIGOT CONNECTOR FITTING
P4	APPROVED FLEXIBLE COUPLING
P5	SPIGOT TAIL PIPE



**Gold Coast City Council**  
GOLD COAST CITY COUNCIL  
PO BOX 5042  
GOLD COAST MC 9729

THIS DRAWING IS NOT TO BE AMENDED WITHOUT REFERENCE TO STANDARDS COMMITTEE				CONTROLLED DOCUMENT	DO NOT SCALE TAKE FIGURED DIMENSIONS ONLY
No.	AMENDMENT	APPROVED	DATE	ISSUED	

DRAWN BY	G.C.W
PASSED	D. HAYMAN 08/07/08
APPROVED	R. WENT 08/07/08

**STANDARD DRAWING**

**MAJOR WATER PRESSURE MAIN**  
**Ø525 TO Ø1200**  
**SECTION BUTTERFLY VALVE PIT**

MICROFILMED
STANDARD DRAWING No. 08-06-116
ISSUE 2008 EDITION