

ROCK GABBION MATTRESS OR FACE GROUTED STONE PITCHED APRON 150 THICK. 2m² UNLESS OTHERWISE DIRECTED.

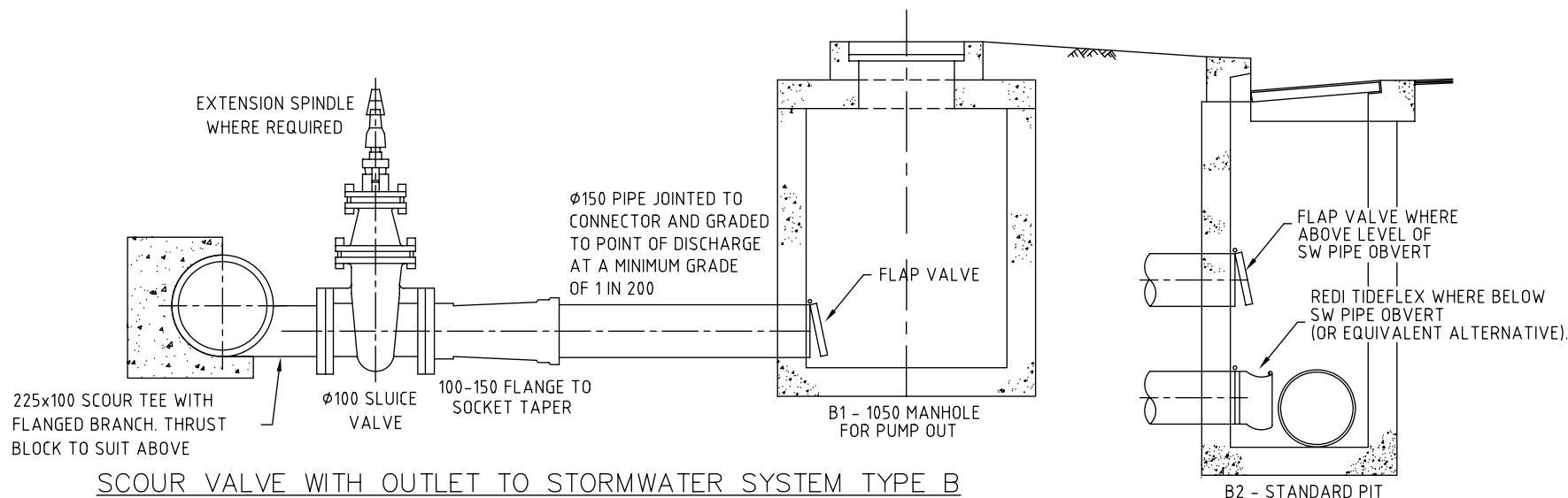
MAIN	SCOUR	OUTLET
225	100	150
300	100	150
375	150	225
450	150	225
525	150	225
600	150	225
≥ 750	225	300

NOTES:

1. THE WATERMAIN DETAILS ON THIS DRAWING ARE OF A $\phi 225$. FOR OTHER MAIN SIZES REFER TO THE SCOUR TABLE ABOVE.
2. FOR SURFACE FITTING DETAILS REFER TO G.C.C.C. STD. DWG. No. 08-06-112.
3. TYPE C GULLY PIT DISCHARGES SHALL BE USED WHERE AVAILABLE.
4. DIMENSIONS ARE IN MILLIMETRES UNLESS SHOWN OTHERWISE.

SCOUR VALVE WITH OUTLET TO OPEN CHANNEL

SCOUR TEE TO BE ABOVE WATERWAY HIGH LEVEL WHERE PERMANENT WATER EXISTS.



SCOUR VALVE WITH OUTLET TO STORMWATER SYSTEM TYPE B



Gold Coast City Council

GOLD COAST CITY COUNCIL
PO BOX 5042
GOLD COAST MC 9729

THIS DRAWING IS NOT TO BE AMENDED WITHOUT REFERENCE TO STANDARDS COMMITTEE

CONTROLLED DOCUMENT

DO NOT SCALE
TAKE FIGURED DIMENSIONS ONLY

STANDARD DRAWING

MICROFILMED

DRAWN BY	G.C.W
PASSED	D. HAYMAN 08/07/08
APPROVED	R. WENT 08/07/08

**SCOUR VALVE AND
OUTLET DETAILS**

STANDARD DRAWING No.	08-06-117
ISSUE	2008 EDITION

No.	AMENDMENT	APPROVED	DATE	ISSUED