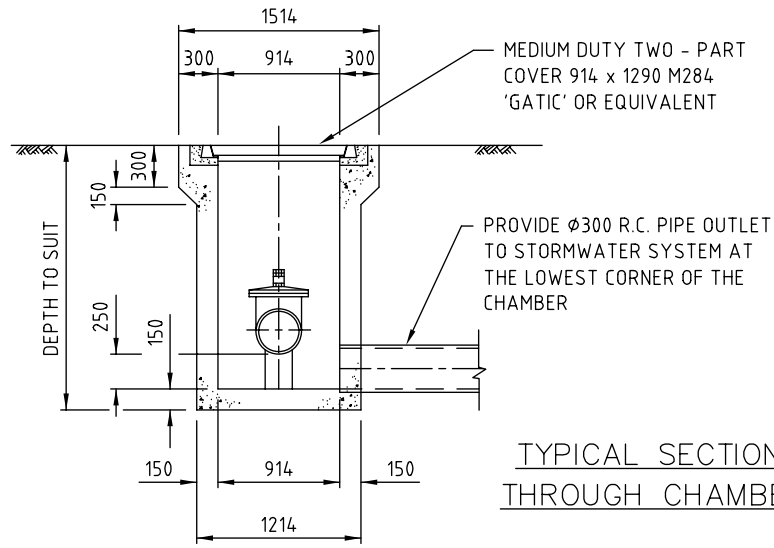


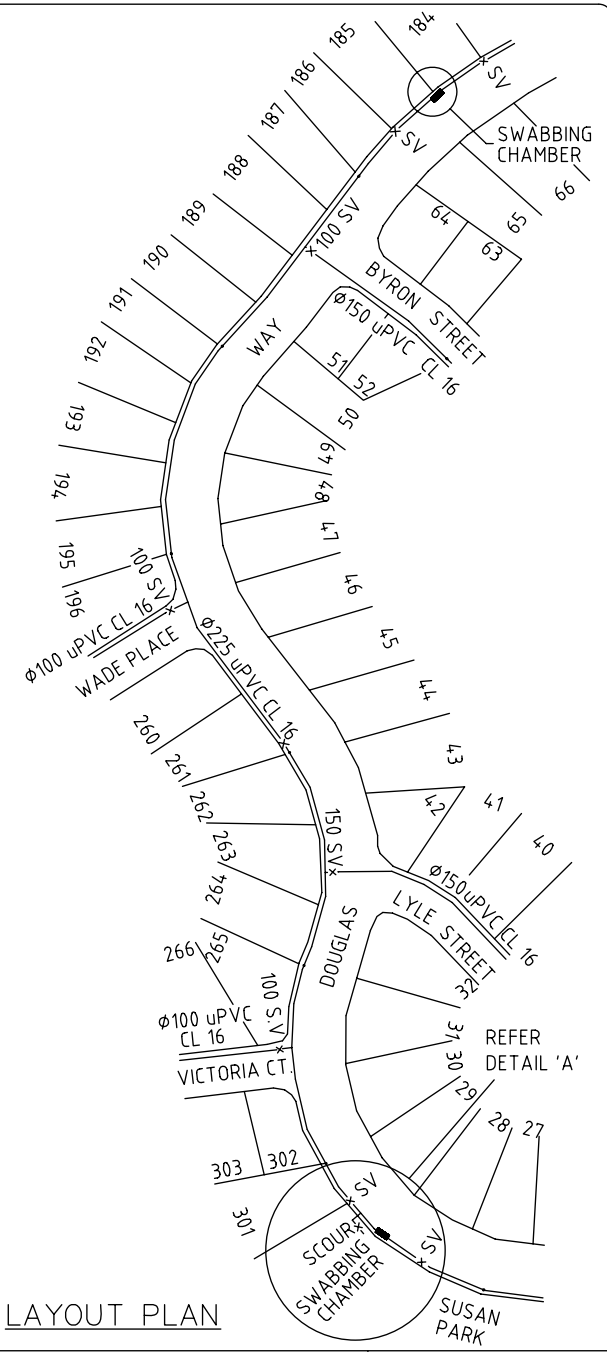
DETAIL 'A'

PIPEWORK SCHEDULE

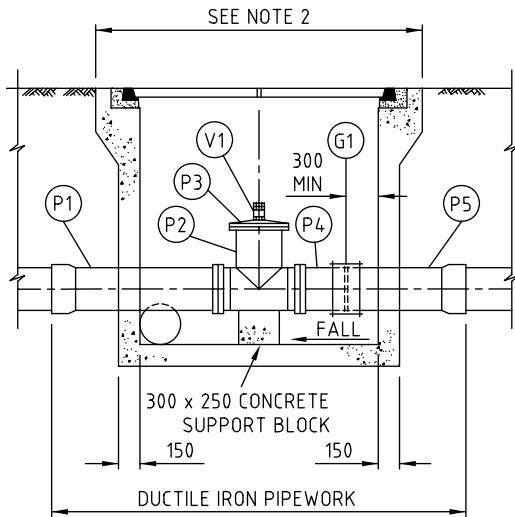
ITEM	DESCRIPTION
P1	SOCKET/FLANGE PIPE x 1000 LONG
P2	FLANGE/FLANGE TEE WITH FLANGED BRANCH
P3	BLANK FLANGE TAPPED CENTRALLY Ø50 B.S.P.
P4	FLANGE/SPIGOT PIPE x 500 LONG
P5	SPIGOT/SOCKET PIPE
V1	SCREWED BALL VALVE WITH HEXAGONAL NIPPLES
G1	GIBAULT JOINT ELONGATED



TYPICAL SECTION THROUGH CHAMBER



LAYOUT PLAN



SECTION ALONG CHAMBER DETAIL

NOTES:

1. CONCRETE TO BE GRADE N25.
2. THE PIT LENGTH SHALL SUIT THE REQUIRED COMPONENTS AND PROVIDE ADEQUATE AREA FOR MAINTENANCE AS DIRECTED BY THE SUPERINTENDENT.
3. WHERE SWABBING CHAMBERS AND SCOURS ADJOIN EACH OTHER (ie AT LOW POINTS) A COMMON PIPE OUTLET MAY BE PROVIDED AS DETAILED ON THE APPROVED ENGINEERING DRAWINGS OR AS DIRECTED BY THE SUPERINTENDENT.
4. WHERE THE MAIN IS LAID DEEPER THAN THE STANDARD DEPTH, THE SWABBING CHAMBER STRUCTURAL CONSTRUCTION SHALL BE AS DETAILED ON THE APPROVED ENGINEERING DRAWINGS.
5. SLUICE VALVES SHALL GENERALLY BE LOCATED OPPOSITE COMMON PROPERTY BOUNDARIES BETWEEN 5m TO 25m EITHER SIDE OF THE SWABBING CHAMBER. REFER TO G.C.C.C STD DWG No. 08-06-105 FOR DETAILS OF VALVE INSTALLATION.
6. DIMENSIONS ARE IN MILLIMETRES UNLESS SHOWN OTHERWISE.



Gold Coast City Council

GOLD COAST CITY COUNCIL
PO BOX 5042
GOLD COAST MC 9729

THIS DRAWING IS NOT TO BE AMENDED WITHOUT REFERENCE TO STANDARDS COMMITTEE				
No.	AMENDMENT	APPROVED	DATE	ISSUED

CONTROLLED DOCUMENT

DO NOT SCALE TAKE FIGURED DIMENSIONS ONLY	
DRAWN BY	G.C.W
PASSED	D. HAYMAN 08/07/08
APPROVED	R. WENT 08/07/08

STANDARD DRAWING

TYPICAL ARRANGEMENT
MAIN SWABBING CHAMBER

MICROFILMED
STANDARD DRAWING No. 08-06-121
ISSUE 2008 EDITION