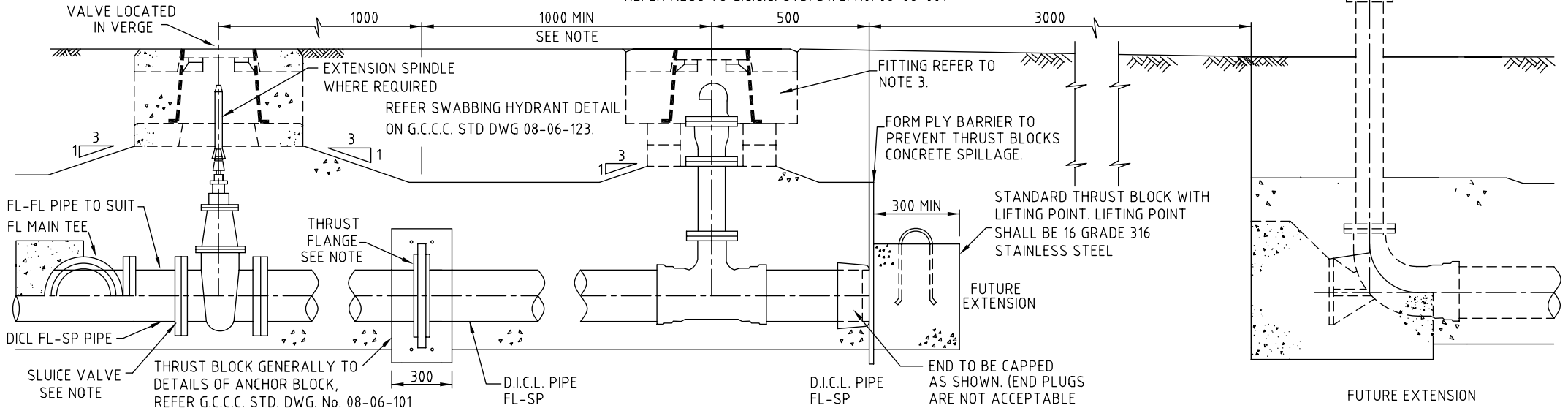


- NOTES:**
1. FUTURE EXTENSIONS THAT CROSS A ROADWAY SHALL PROVIDE THE FL-FL VALVE TO THE FL MAIN TEE & SHALL DELETE THE THRUST FL AND THRUST BLOCK.
 2. FOR PE PIPES REFER TO G.C.C.C STD DWG 08-06-113 FOR DETAIL.
 3. HYDRANT OR FLUSHING FITTING DETAILS REFER TO G.C.C.C STD DWG No. 08-06-123.

TYPICAL ARRANGEMENT

REFER ALSO TO G.C.C.C. STD. DWG. NO. 08-06-001



STANDARD ARRANGEMENT DETAIL FOR ALL FUTURE EXTENSIONS



Gold Coast City Council

GOLD COAST CITY COUNCIL
PO BOX 5042
GOLD COAST MC 9729

THIS DRAWING IS NOT TO BE AMENDED WITHOUT REFERENCE TO STANDARDS COMMITTEE

CONTROLLED DOCUMENT

DO NOT SCALE
TAKE FIGURED DIMENSIONS ONLY

STANDARD DRAWING

MICROFILMED

DRAWN BY	G.C.W
PASSED	D. HAYMAN 08/07/08
APPROVED	R. WENT 08/07/08

PROVISION FOR FUTURE WATER RETICULATION EXTENSIONS

STANDARD DRAWING No.	08-06-122
ISSUE	2008 EDITION

No.	AMENDMENT	APPROVED	DATE	ISSUED