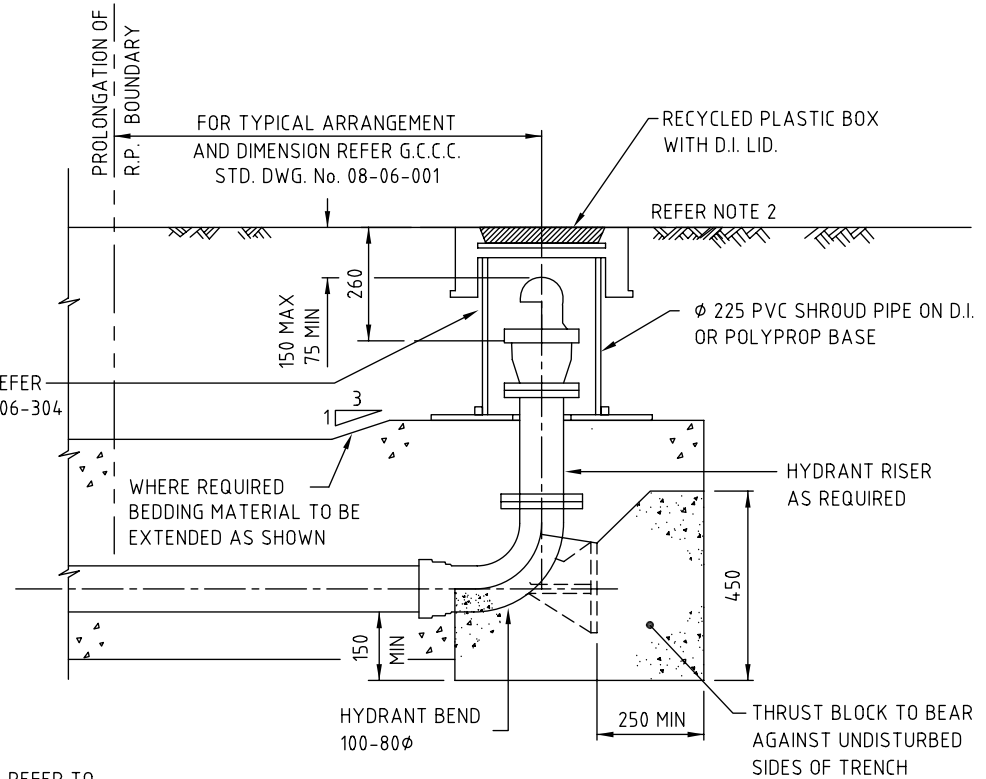


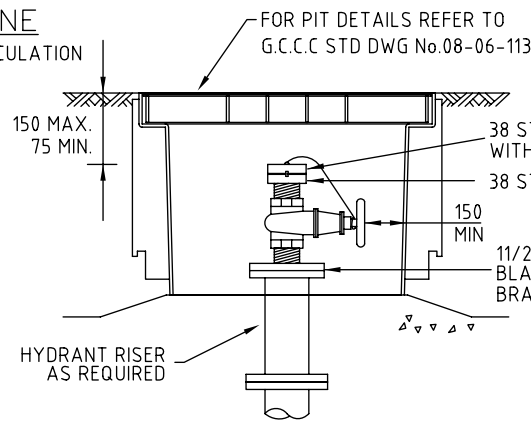
HYDRANT BOX TO SUIT REFER G.C.C.C. STD DWG. No. 08-06-304



**STANDARD HYDRANT ON LINE**  
TRADITIONAL POTABLE OR A+ MAIN FOR DUAL RETICULATION

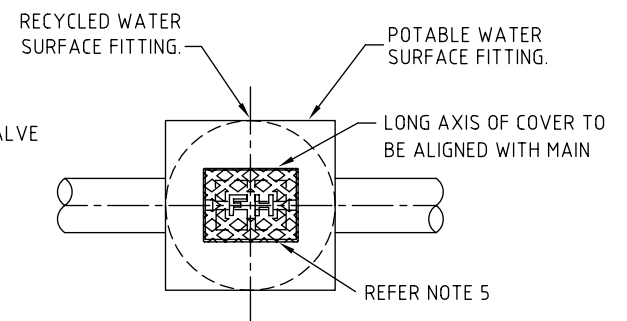
**NOTES:**

1. EITHER PRECAST CONCRETE SURROUNDS/SUPPORTS AND BRICK SUPPORT OR RECYCLED PLASTIC BOX DETAILS SHOWN ARE ACCEPTABLE.
2. ALL CONCRETE SURROUNDS AND PLASTIC BOXES SHALL BE LAID TO THE FINISHED PROFILE OF THE FOOTPATH VERGE.
3. FOR PRECAST CONCRETE SURROUND/SUPPORT AND BRICK SUPPORT DETAILS REFER G.C.C.C. STD. DWG. No. 08-06-304.
4. FOR TYPICAL HYDRANT ARRANGEMENT REFER G.C.C.C. STD. DWG. No. 08-06-001.
5. BOX COVERS FOR SWABBING HYDRANTS SHALL HAVE "SH" MARKED ON TOP.
6. DIMENSIONS ARE IN MILLIMETRES UNLESS SHOWN OTHERWISE.



**POTABLE FLUSHING POINT**  
DUAL RETICULATION ONLY

**SWABBING HYDRANT AT END OF LINE AND HEAD OF CUL-DE-SAC**



**HYDRANT & VALVE BOX ALIGNMENT**



**Gold Coast City Council**  
GOLD COAST CITY COUNCIL  
PO BOX 5042  
GOLD COAST MC 9729

THIS DRAWING IS NOT TO BE AMENDED WITHOUT REFERENCE TO STANDARDS COMMITTEE

CONTROLLED DOCUMENT

DO NOT SCALE  
TAKE FIGURED DIMENSIONS ONLY

**STANDARD DRAWING**

MICROFILMED

DRAWN BY  
G.C.W

PASSED  
D. HAYMAN 08/07/08

APPROVED  
R. WENT 08/07/08

**FIRE HYDRANT DETAILS**

STANDARD DRAWING No.  
08-06-123

ISSUE

2008 EDITION

No.	AMENDMENT	APPROVED	DATE	ISSUED