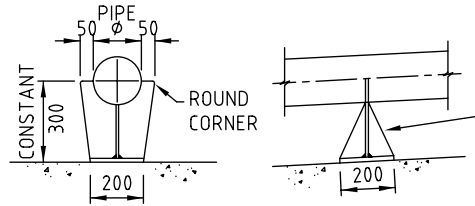


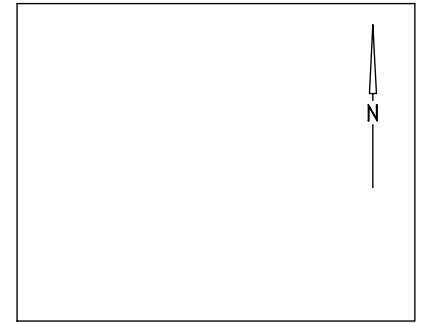
MARK	DESCRIPTION	DIA	NO OF
1	FLANGE - FLANGE - FLANGE TEE PIECE		2
2	FLANGE - FLANGE 90° BEND		2
3	FLANGED ASSEMBLY JOINT		2
4	FLANGE PLAIN PIPE OF LENGTH TO SUIT		1
5	FLANGE & PLAIN PIPE 1200 LONG		1
6	FLANGE - FLANGE CONCENTRIC TAPER ϕ ϕ		4
7	FLANGE & PLAIN PIPE 700 LONG		2
8	THRUST FLANGE		2
9	FLANGE - FLANGE REFLUX VALVE *		2
10	FLANGE - FLANGE SLUICE VALVE		4
11	PUMP AS DETAILED		2
12	PRESSURE GAUGE (SEE NOTE 9)		2
13	25 ϕ AIR VALVE ATOP 25 ϕ BALL/GATE VALVE		2

* REFLUX VALVE TO INCORPORATE COUNTERWEIGHT AND EXTENDED SPINDLE



PUMP CRADLE SUPPORT DETAIL

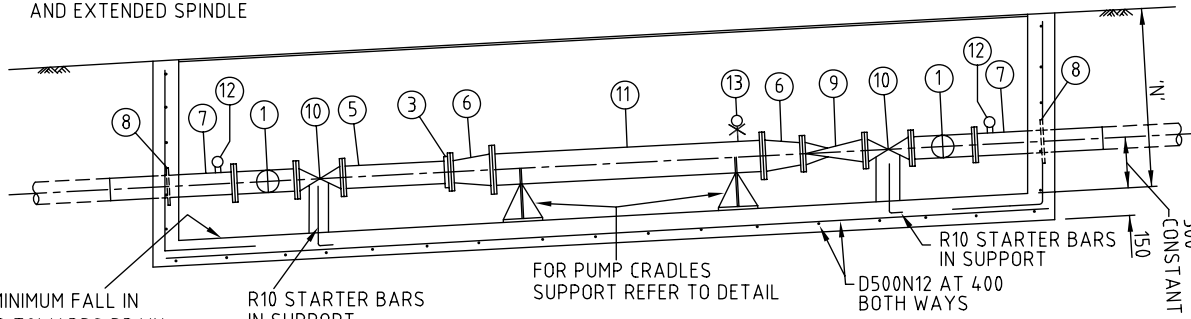
FABRICATED SUPPORT CRADLE FROM 10 R CONTINUOUS FILLET WELD. ALL COMPONENTS TO BE HOT DIP GALVANISED AFTER FABRICATION. 3 REINFORCED RUBBER BEARING PAD TO CRADLE SURFACE.



PUMP DESCRIPTION

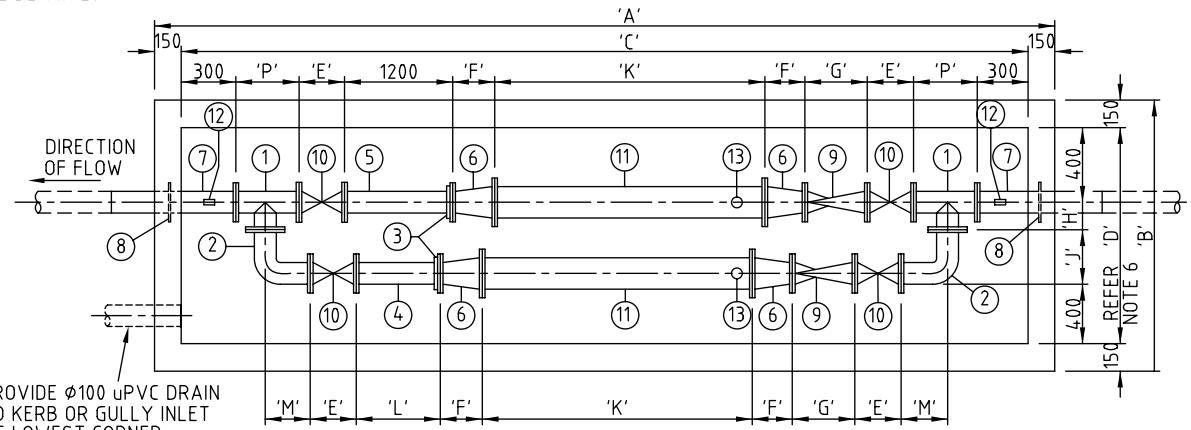
LOCALITY PLAN

PUMP STATION _____
PUMP TYPE & MODEL _____
MOTOR RATING _____
ENCLOSURE TUBE DIAMETER _____
ENCLOSURE TUBE LENGTH _____
DUTY POINT.....l/s. ATm HEAD _____
WATER SUPPLY PUMP STATION NO. _____
ADDRESS : _____
FILE No. : _____



SECTIONAL ELEVATION

THE MINIMUM FALL IN FLOOR TOWARDS DRAIN FROM ALL DIRECTIONS SHALL BE 1 IN 20



PLAN

NOTES:

1. THE CONSULTANT SHALL COMPLETE AND SUBMIT FOR APPROVAL TO THE COUNCIL ALL TABLES AND DIMENSIONS.
2. ALL CAST INSITU CONCRETE TO BE GRADE N25.
3. FOR LOCATION OF PUMP STATION CONTROL CUBICLE REFER G.C.C.C. STD. DWG. No. 08-06-131.
4. FOR PUMP STATION COVER DETAILS REFER G.C.C.C. STD. DWG. Nos. 08-06-130, 08-06-131 & 08-06-132.
5. ALL FLANGES TO BE DRILLED IN ACCORDANCE WITH G.C.C.C. STANDARD SPECIFICATION SS 2.
6. MAXIMUM DIMENSION OF 1300 FOR 'D'.
7. AIR VALVE TO BE AT HIGH POINT.
8. FOR RESERVOIR DETAILS REFER G.C.C.C. STANDARD SPECIFICATION SS11.
9. PROVIDE 25 ϕ BALL VALVE, PRESSURE GAUGE AND PRESSURE SWITCH.
10. THIS DRAWING IS TO BE READ IN CONJUNCTION WITH G.C.C.C. STANDARD SPECIFICATION SS12 AND SS14.
11. DIMENSIONS ARE IN MILLIMETRES UNLESS SHOWN OTHERWISE.

MARK	DIMENSION
'A'	
'B'	
'C'	
'D'	
'E'	
'F'	
'G'	
'H'	
'J'	
'K'	
'L'	
'M'	
'N'	
'P'	



No.	AMENDMENT	APPROVED	DATE	ISSUED

CONTROLLED DOCUMENT	DO NOT SCALE TAKE FIGURED DIMENSIONS ONLY
DRAWN BY G.C.W	
PASSED D. HAYMAN	08/07/08
APPROVED R. WENT	08/07/08

STANDARD DRAWING

WATER SUPPLY PUMP STATION PLAN 1 OF 4

MICROFILMED
STANDARD DRAWING No. 08-06-129
ISSUE 2008 EDITION