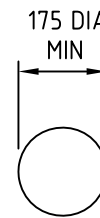
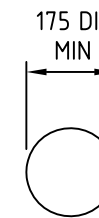


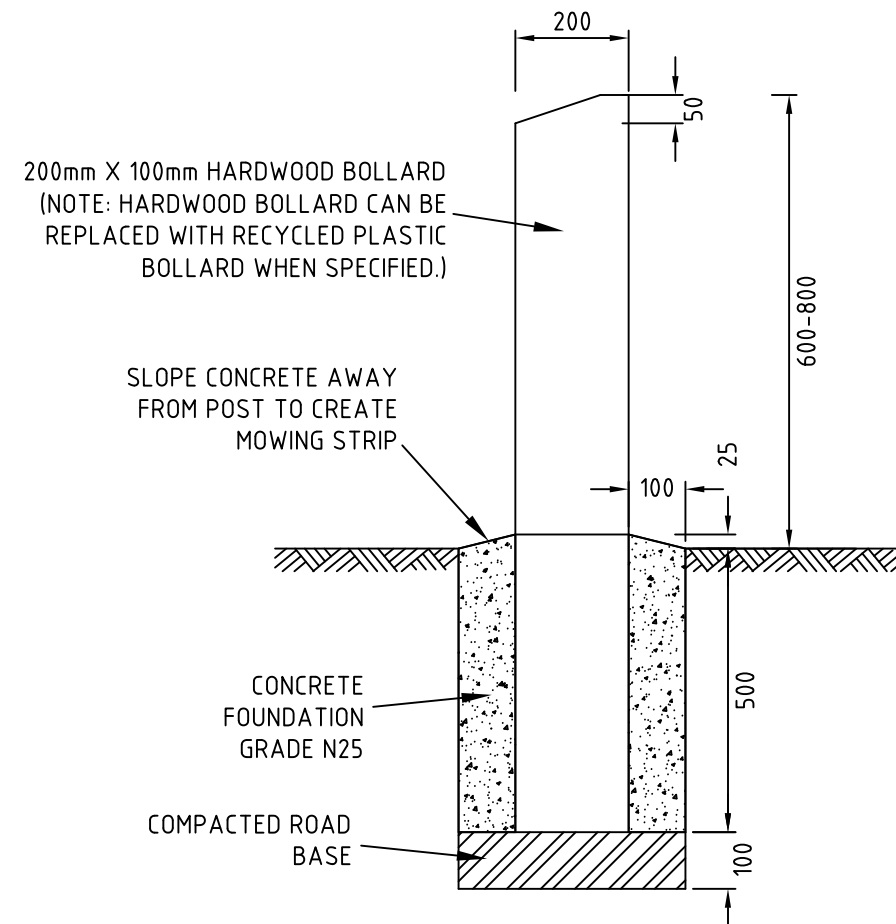
**TOP VIEW**



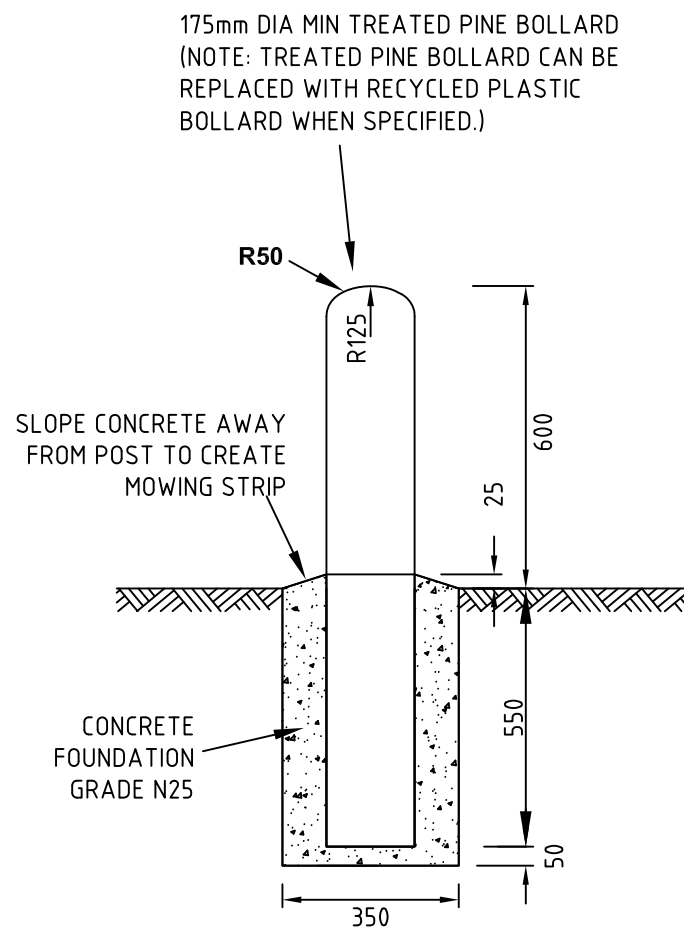
**TOP VIEW**



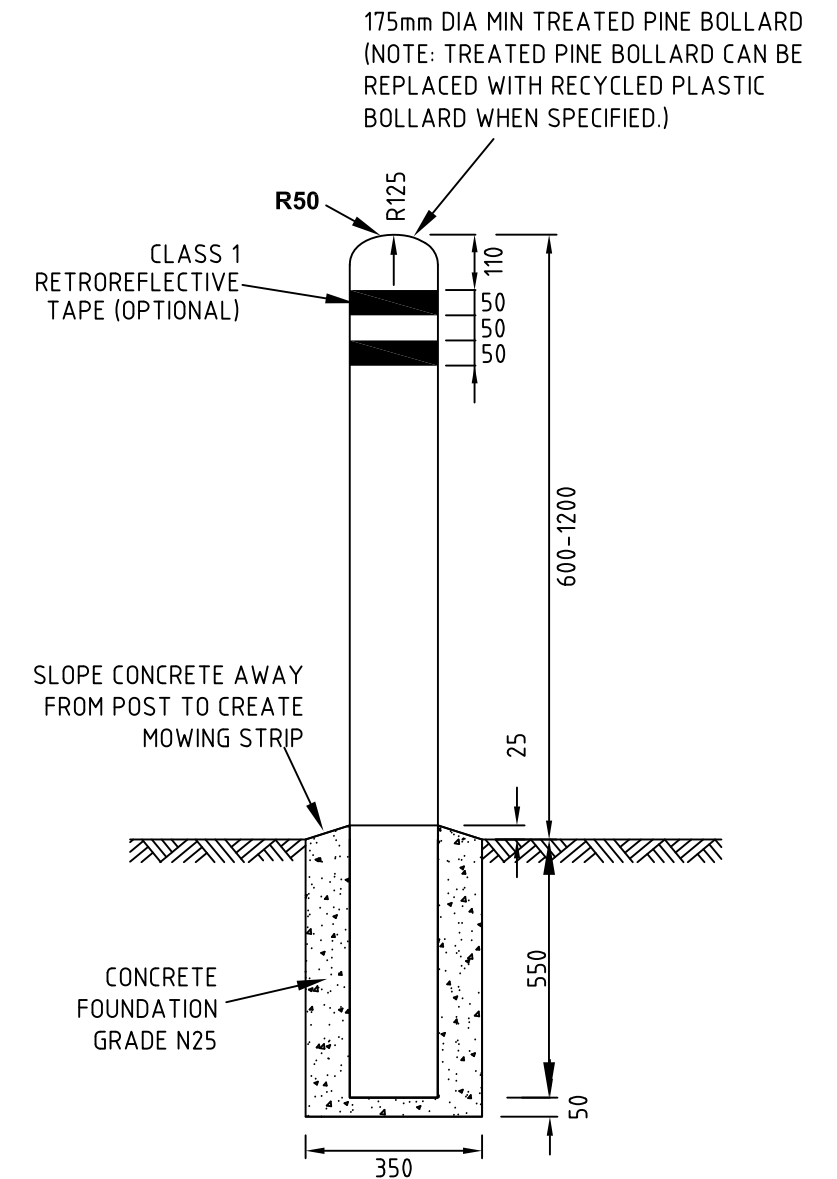
**TOP VIEW**



**BUSHLAND BOLLARD  
TYPE 1**



**PEDESTRIAN BOLLARD  
TYPE 1**



**PEDESTRIAN BOLLARD  
TYPE 2**

THIS DRAWING IS NOT TO BE AMENDED WITHOUT REFERENCE TO STANDARDS COMMITTEE

CONTROLLED DOCUMENT

DO NOT SCALE TAKE FIGURED DIMENSIONS ONLY

**STANDARD DRAWING**

DRAWN BY  
CITY OF GOLD COAST  
PASSED - COORDINATOR OPEN SPACE ASSETS  
NAME: CAMERON TAYLOR 17/10/13  
APPROVED - MANAGER PARKS & RECREATIONAL SERVICES  
NAME: RON JACOBS 17/10/13

**BOLLARDS - TIMBER**

STANDARD DRAWING No.  
**05-716**  
ISSUE  
**2015 EDITION**

No.	AMENDMENT	APPROVED	DATE	ISSUED